



**CONCAP**  
**CAPACITORS**  
LEADERS SINCE 1983



## AIR CONDITIONER CAPACITOR

**MANUFACTURED BY**

**CONCAP ELECTRICALS PRIVATE LIMITED**

**REGISTERED OFFICE:**

Plot No:8, Road No: 82, 2nd floor, Jubilee Hills, Hyderabad, telangana, 500033

**WORKS:**

Plote NO: 90&91, Pilerne Industrial Estate, Pilerne Bardez, GOA, 403511

**CUSTOMER CARE**

Ph no : +91 9949287490 , +91 9515087490

e-mail : [info@concap.in](mailto:info@concap.in), [customer care@concap.in](mailto:customer care@concap.in)



under process



[www.concap.in](http://www.concap.in)



**CONCAP**  
**CAPACITORS**  
LEADERS SINCE 1983



# AIR CONDITIONER CAPACITOR

## SPECIFICATION

Film Type: SH-MPP  
Metallization Plant: Italian  
Resin Material: Polyurethane (ECO Friendly)  
Dissipation Factor: Low  
Casing Material: Aluminum  
Insulation Resistance: Above 100 ohms  
Standard Compliance: IS: 2993 / IEC: 60252  
Voltage Ratings: Available in 440V, 450V  
Range: Available from 5 MFD to 60 MFD

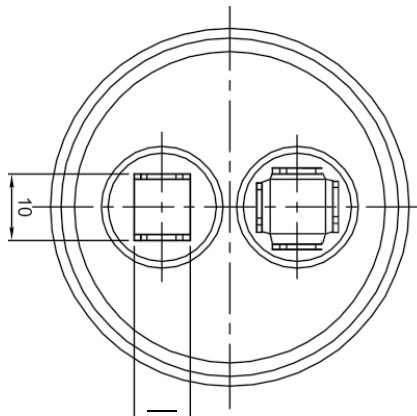
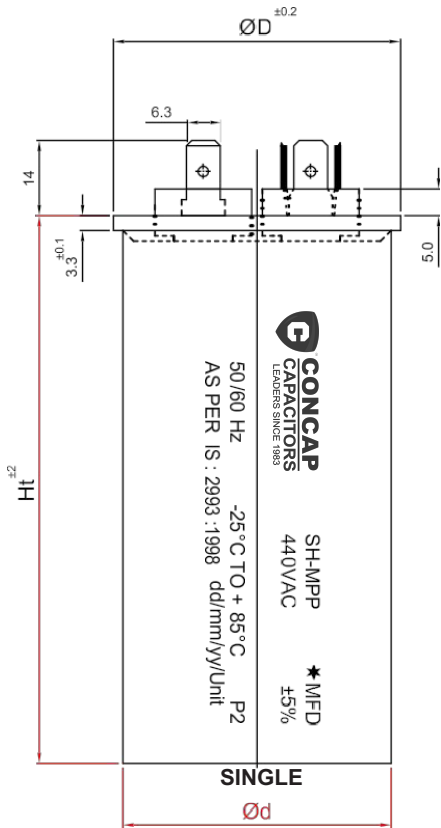


## FEATURES

Long Life Capacitors.  
Operates on same efficiency over a wide range of temperature and humidity.  
Self Healing Property.  
A Dual Motor **RUN CAPACITORS COMES AS A SINGLE UNIT WITH DUAL PURPOSE.**  
Built-in Over Pressure Disconnecter when there is rise in internal Pressure.  
Non PCB Encapsulation.  
ECO Friendly.  
Low Internal Power losses. Conserves Energy.  
High Insulation Resistance.  
Rust Proof Safe Tin Plated Terminals.  
Single and Dual Ratings as per Customer's Requirements.

## APPLICATION

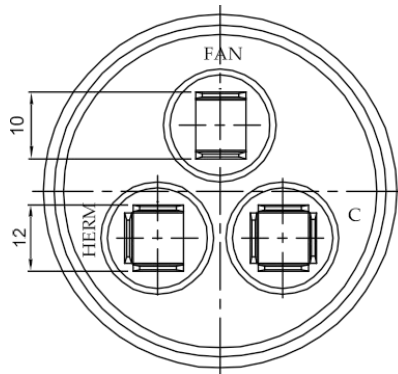
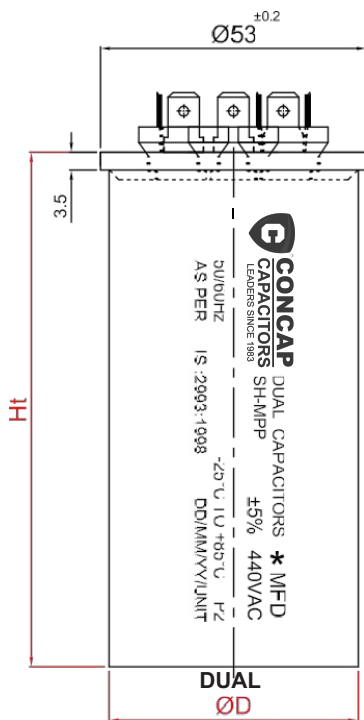
AIR CONDITIONER  
MOTOR RUN



### 440 V Burst Proof Series (P2 Type)

S.NO.	* MFD	ØD	Ht
1	25.0	50	98
2	30.0	50	98
3	35.0	50	98
4	36.0	50	98
5	40.0	50	98
6	45.0	50	98
7	50.0	50	98
8	60.0	50	98
9	70.0	50	98
10	75.0	50	98
11	80.0	50	98

Note : Any Dimensions & Ratings can be made as per Customer's Requirement



### 440 V Burst Proof Series (P2 Type)

S.NO.	* MFD	ØD	Ht
1	36+2	50	104
2	36+6	50	104
3	45+2	50	104
4	45+4	50	104
5	45+6	50	104
6	50+2	50	104
7	50+4	50	104
8	50+6	50	104
9	60+10	50	104

Note : Any Dimensions & Ratings can be made as per Customer's Requirement